



Assembly, Installation, Operation,
and Maintenance Instructions

EXTREME HD GRILLE GUARD

**PART NUMBER:
E0518B**

**INSTALL TIME:
120 minutes**

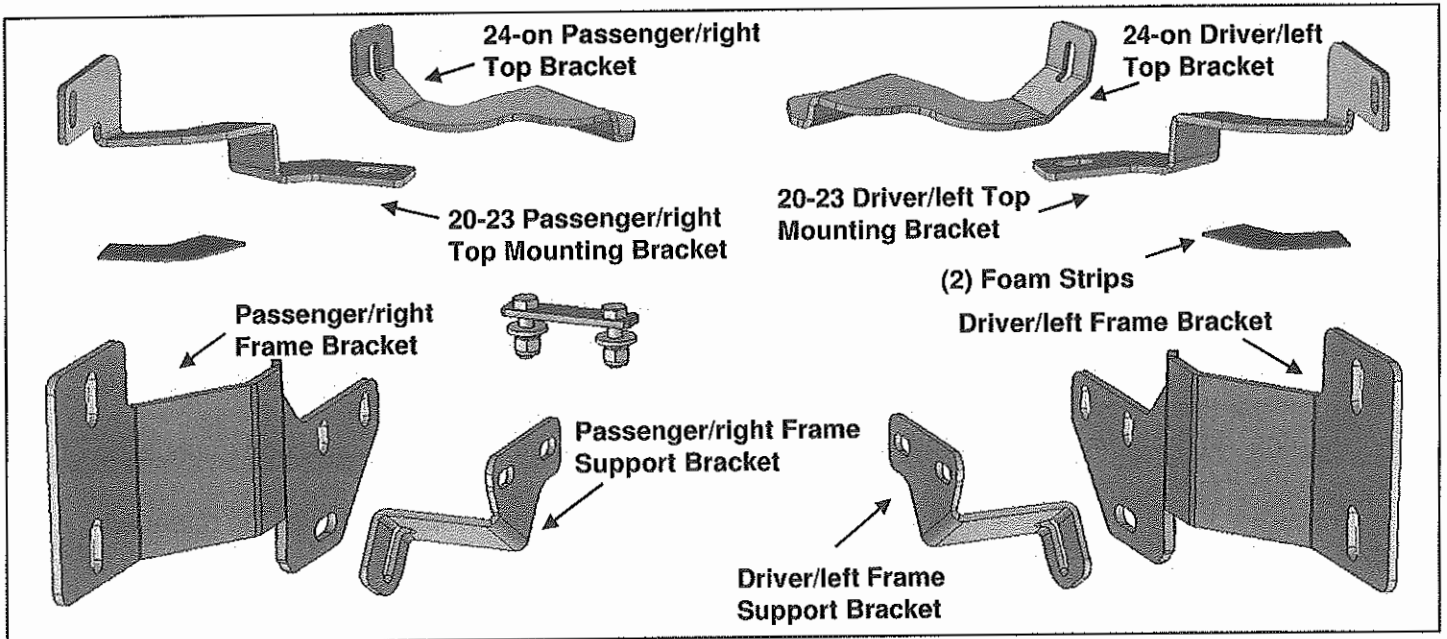
20-25 GMC SIERRA 25-3500

Dealer / Installer: Provide a copy of these instructions to the end user of this product. These instructions provide important operating and safety information for proper usage of this product. Demonstrate the proper use of the product with the end user. Have the end user demonstrate that they understand the proper use of the product.

End User: Read and follow all instructions included in this manual. Ask your Dealer / Installer for assistance if you do not understand the proper use of the product. Never remove any decals from the product. Failure to follow these instructions can result in injury or death.

PACKAGE CONTENTS

1	HD Grille Guard	8	12mm Hex Bolts
1	Driver/left Frame Bracket	12	12mm x 37mm OD x 3mm Large Flat Washers
1	Passenger/right Frame Bracket	2	12mm x 24mm OD x 2.5mm STD Flat Washers
1	Driver/left Frame Support Bracket	6	12-1.75mm Nylon Lock Nuts
1	Passenger/right Frame Support Bracket	2	12mm Lock Washer
1	2020-23 Driver/left Top Mounting Bracket	4	10mm x 35mm Double Bolt Plates
1	2020-23 Passenger/right Top Mounting Bracket	4	10-1.5mm x 130mm Hex Bolts
1	2024-on Driver/left Top Bracket	2	10-1.5mm x 35mm Hex Bolts
1	2024-on Passenger/right Top Bracket	12	10mm x 27mm OD x 3mm Flat Washers
2	2020-23 Adhesive Backed Foam Tape Strips	10	10-1.5mm Nylon Lock Nuts
2	2024-on Adhesive Backed Foam Tape Strips	1	Allen Wrench



PROCEDURE:

REMOVE CONTENTS FROM BOX. VERIFY ALL PARTS ARE PRESENT. READ INSTRUCTIONS CAREFULLY BEFORE STARTING INSTALLATION. MINOR PLASTIC TRIMMING MAY BE REQUIRED. INSTALLATION MAY INTERFERE WITH BUMPER MOUNTED PARKING SENSORS. ASSISTANCE IS RECOMMENDED.

1. Open the hood and remove the hood release lever, **(Figures 1 & 2)**. Remove the plastic pins and cover from the top of the grille and radiator. Temporarily reattach the lever.
2. Remove the now exposed hardware attaching the top of the grille to the body.
3. Loosen plastic body panels, (fascia panels):
2020-2023 Models: Grab and pull panel between the top of the bumper and the bottom of the headlight, **(Figure 3a)**. **NOTE:** Fascia panels do not need to be fully removed, only loosen the insides to remove the grille.
2024-on Models: Starting at the front of the wheel well, remove the 2 screws attaching the fender liner to the fascia panels. Grab plastic fender flare and pull to release plastic pins securing the plastic fender flare to body, **NOTE:** flare does not need to be fully removed, only the first few pins. Remove the now exposed small hex bolt attaching fascia to body **(Figure 3b)**.
4. On models with grille mounted camera, unplug harness leading to the camera.
5. Once all attaching screws and clips have been removed, pull grille straight out to release from clips, **(Figure 4)**.
6. Remove the hex bolt from the top of the driver/left side of the frame, **(Figure 5)**.
7. Identify the correct Top Mounting Bracket for your model year:
Select the driver/left Top Bracket and apply Foam Tape to bottom of the Bracket, **(Figure 6)**. Use the factory hex bolt to attach the Top Bracket to the frame, **(Figures 7a – 7b)**. Repeat this and the previous **Step** to attach the passenger/right Top Bracket. Do not fully tighten hardware at this time.
8. Move to the bottom of the front bumper. Determine if the vehicle is equipped with tow hooks.

Models with tow hooks.

- a. Remove the driver/left tow hook and seal from bumper, **(Figures 8—10)**. Slide tow hook back into position.
- b. Select the driver/left Frame Mounting Bracket and Support Bracket, **(Figure 11)**. Slide the Frame Bracket through the tow hook opening and along the outside of the frame, **(Figure 10)**. Insert (2) 10mm x 130mm Hex Bolts with (2) 10mm Flat Washers through the Bracket, frame and tow hook, **(Figures 11 & 12)**.
- c. Slide the Support Bracket over the hex bolts. Attach the Support Bracket to the inner facing side of the frame with (2) 10mm Flat Washers and (2) 10mm Nylon Lock Nuts, **(Figures 11 & 13)**. Do not fully tighten hardware at this time.
- d. Attach the bottom of the Support Bracket to the Frame Bracket with the included (1) 12mm x 40mm Hex Bolt, (1) 12mm x 37mm Large Flat Washer, (frame bracket side), (1) 12mm x 24mm Small Flat Washer, (support bracket side) and (1) 12mm Nylon Lock Nut, **(Figures 11 & 13)**. Do not fully tighten hardware at this time.
- e. Repeat these **Steps** to attach the passenger/right Brackets.

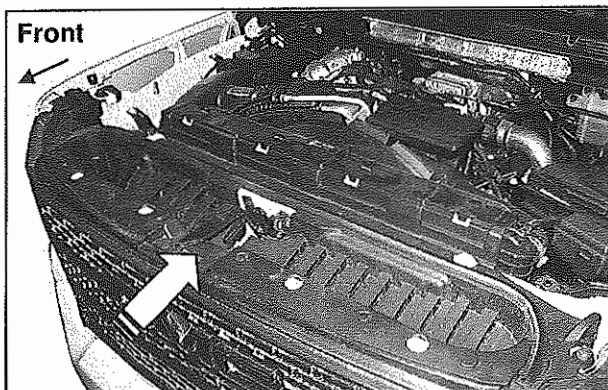
Models without tow hooks or if tow hooks will not be reinstalled

- a. **IMPORTANT:** The pocket in the plastic bumper may need to be cut out to clear the Frame Brackets, **(Figure 10)**. Use a sharp knife or hacksaw blade and carefully cut out the pocket to clear the Frame Brackets. Only cut out enough plastic to clear the Brackets.
- b. Insert (1) 10mm Double Bolt Plate into the open end of the frame and out through the outside of the frame.
- c. Slide the driver/left Frame Bracket through the opening in the bumper and over the threaded studs on the Bolt Plate, **(Figure 14)**.
- d. Attach the Frame Bracket to the Bolt Plate with (2) 10mm Flat Washers and (2) 10mm Nylon Lock Nuts, **(Figure 14)**.
- e. Repeat the previous **Steps** to attach the driver/left Support Bracket to the inner facing side of the frame, **(Figure 15)**. Attach the bottom of the Support Bracket to the Frame Bracket with the

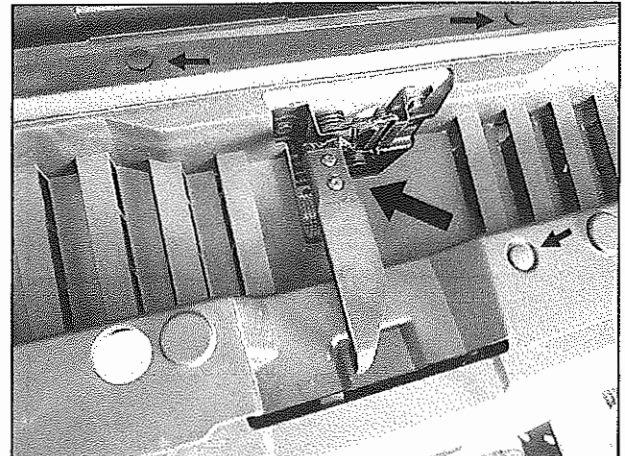
Included (1) 12mm x 40mm Hex Bolt, (1) 12mm x 37mm Large Flat Washer, (frame bracket side), (1) 12mm x 24mm Small Flat Washer, (support bracket side) and (1) 12mm Nylon Lock Nut. Do not fully tighten hardware at this time.

- f. Repeat these **Steps** to attach the passenger/right Brackets.
9. With assistance, position the Heavy Duty Grille Guard up to the outside of the Mounting Brackets, **(Figure 16)**. Attach the Grille Guard to the Frame Brackets with the included (4) 12mm x 40mm Hex Bolts, (8) 12mm x 37mm Large Flat Washers and (4) 12mm Nylon Lock Nuts, **(Figures 17 & 18)**. Attach the Top Brackets to the inside of the Grille Guard with (2) 10mm x 35mm Hex Bolts, (4) 10mm Flat Washers and (2) 10mm Nylon Lock Nuts, **(Figures 17 & 18)**. Do not fully tighten hardware.
10. Level and adjust the Grille Guard and fully tighten all hardware attaching Brackets to vehicle only. Temporarily remove Grille Guard.
11. Reinstall grille, fascia body panels and top cover. On models with camera, plug in wiring harness.
12. Reinstall Grill Guard and fully tighten all hardware.
13. On models with camera, remove screen from center of Grille Guard, **(Figure 19)**.
14. Do periodic inspections to the installation to make sure that all hardware is secure and tight.

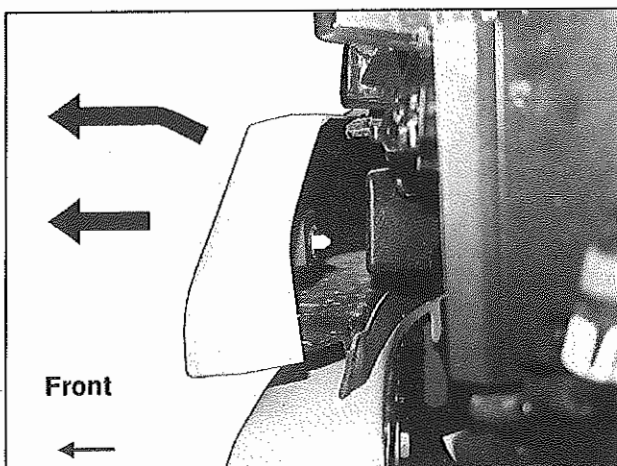
Driver/left Side Installation Pictured



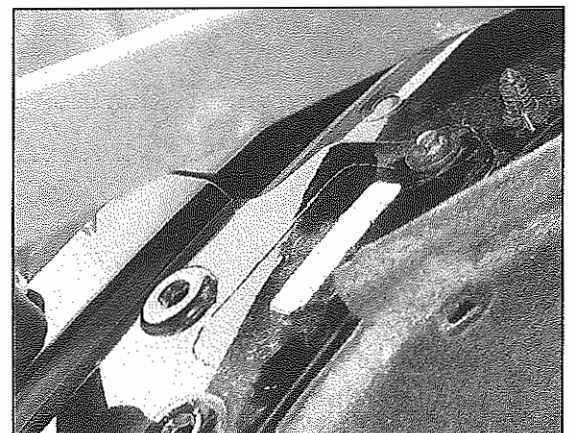
(Fig 1) Open hood and temporarily remove hood release lever



(Fig 2) Remove hood release lever (arrow). Remove plastic pins and cover, then temporarily reinstall the release lever.

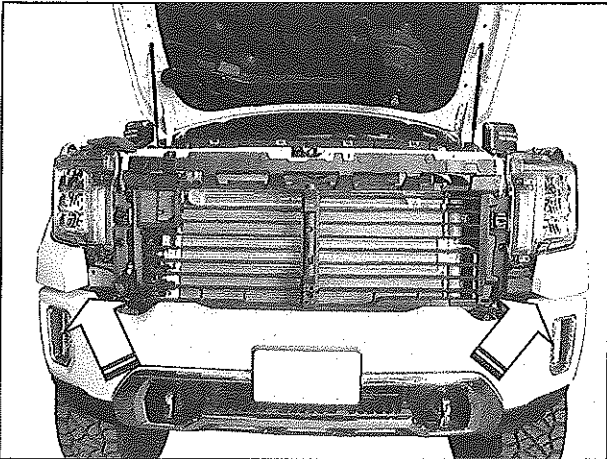


(Fig 3a) 2020-23 Models: Firmly pull fascia body panels up and straight out to release from clips next to grille (passenger side pictured-also see Figure 4)

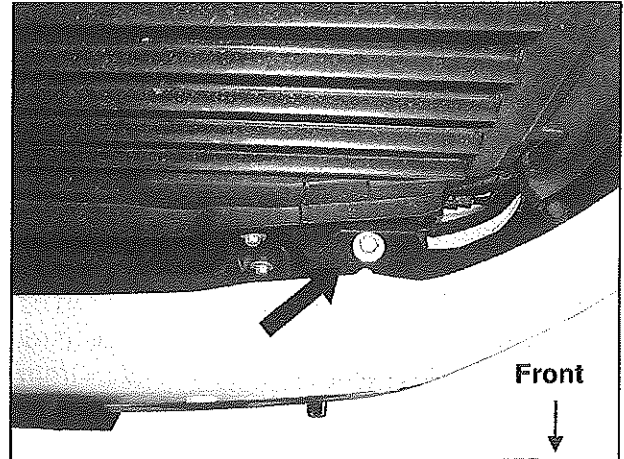


(Fig 3b) 2024-on: Firmly pull flare to expose hex bolt.

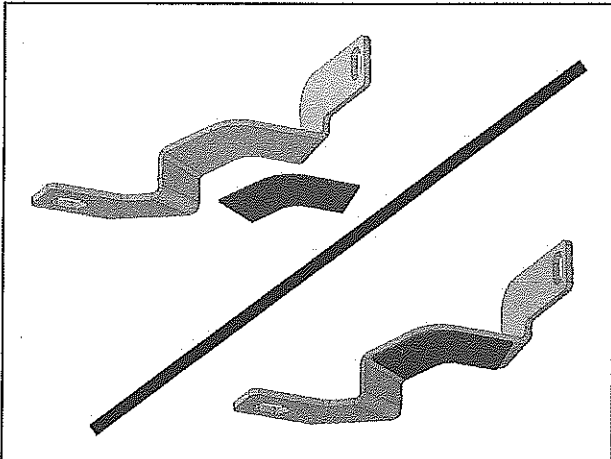
Driver/left Side Installation Pictured



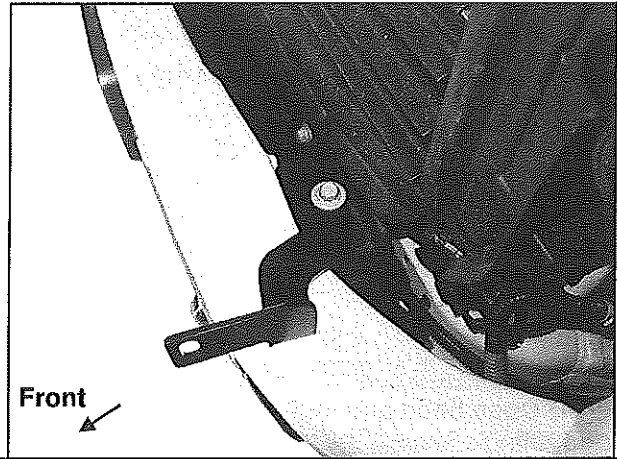
(Fig 4) Once both fascia body panels (arrows) have been loosened, remove grille



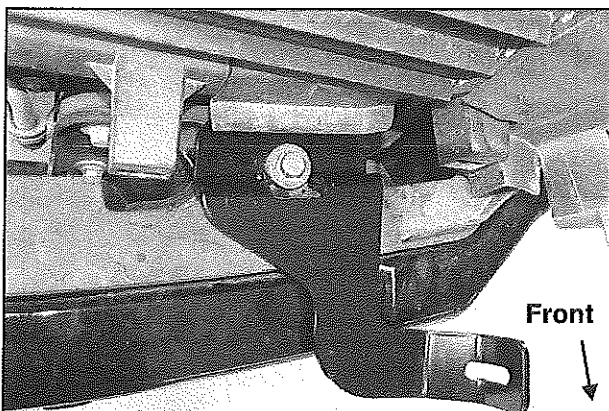
(Fig 5) From above, remove factory bumper bracket bolt (arrow)



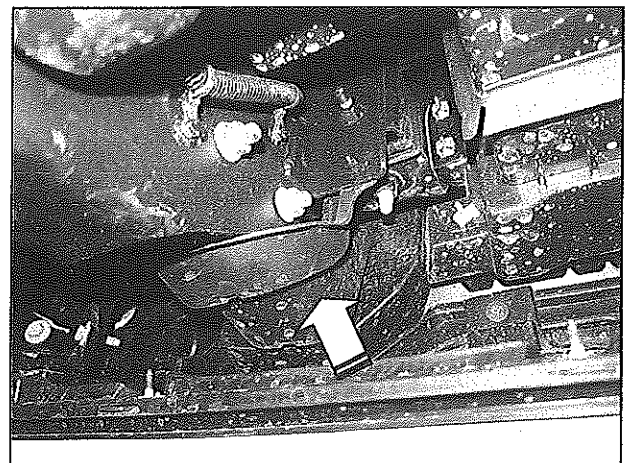
(Fig 6) Apply Foam Tape to bottom of the Top Brackets to protect the bumper (20-23 driver/left Bracket illustrated)



(Fig 7a) 2020-23 models: Reuse bumper bracket bolt to attach Driver/left Top Mounting Bracket to top of frame

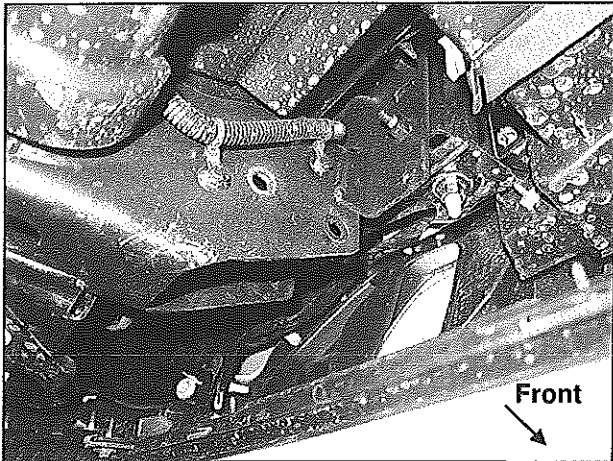


(Fig 7b) 2024-on: Reuse bumper bracket bolt to attach Driver/left Top Bracket to top of frame

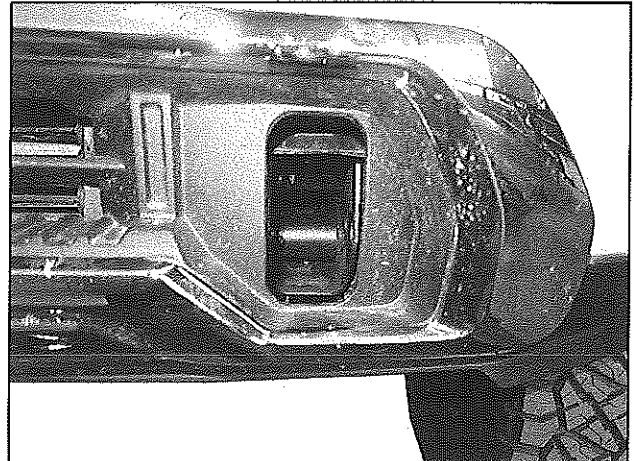


(Fig 8) Remove tow hook and foam seal (driver/left pictured from below)

Driver/left Side Installation Pictured

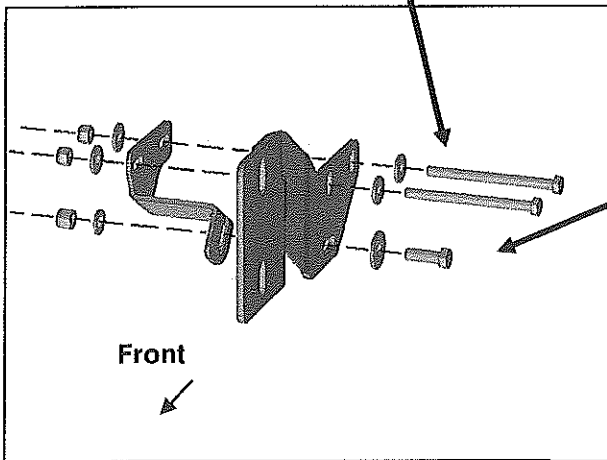


(Fig 9) Remove tow hook and foam seal (driver/left pictured)



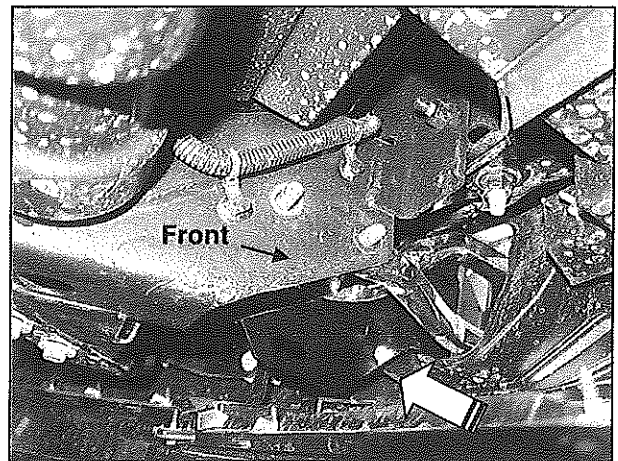
(Fig 10) Reinsert tow hook. Insert driver/left outer Frame Bracket through opening and along outside of frame

(2) 10mm x 130mm Hex Bolts
(4) 10mm Flat Washers
(2) 10mm Nylon Lock Nuts



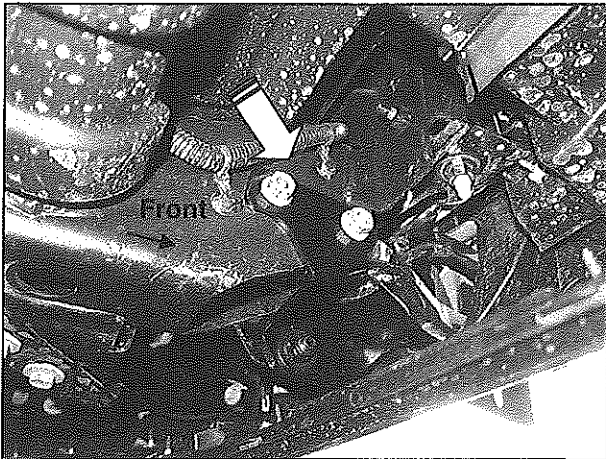
(Fig 11) Driver/left Frame Bracket and inner Support Bracket illustrated

12mm x 40mm Hex Bolt
12mm x 37mm Large Flat Washer
12mm x 24mm STD Flat Washer
12mm Nylon Lock Nut



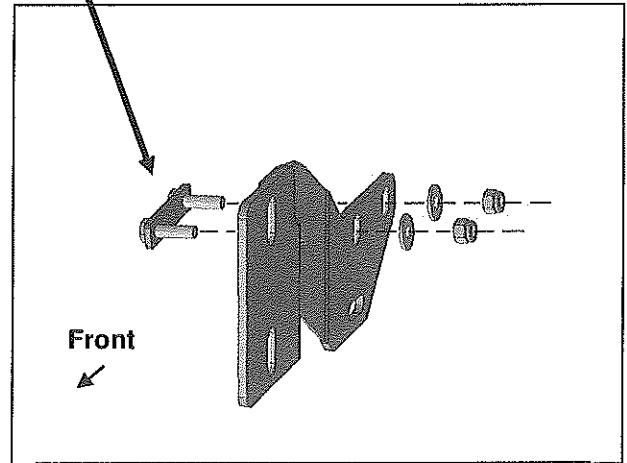
(Fig 12) Attach driver/left Frame Bracket to outside of frame (pictured from below bumper)

Driver/left Side Installation Pictured



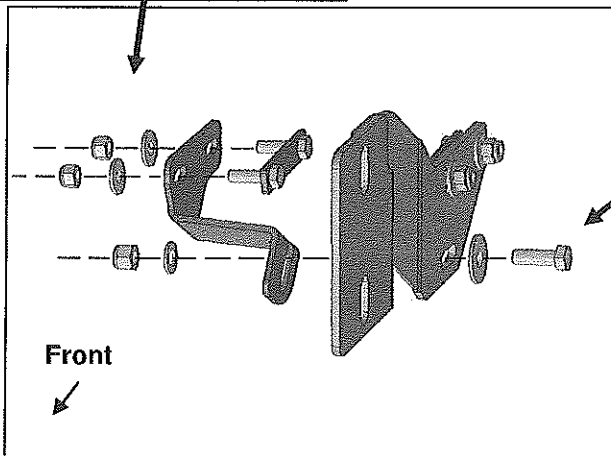
(Fig 13) Attach driver/left inner Support Bracket to inner facing side of frame

**10mm Double Bolt Plate
(2) 10mm Flat Washers
(2) 10mm Nylon Lock Nuts**



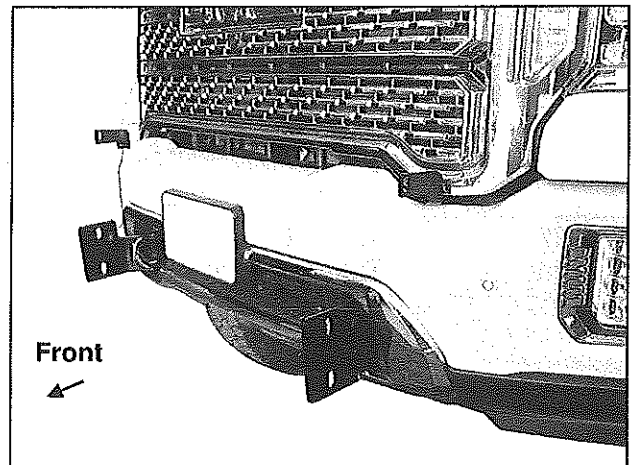
(Fig 14) Models without tow hooks, insert Double Bolt Plate into frame and out through holes. Attach driver/left Frame Bracket to Double Bolt Plate

**10mm Double Bolt Plate
(2) 10mm Flat Washers
(2) 10mm Nylon Lock Nuts**



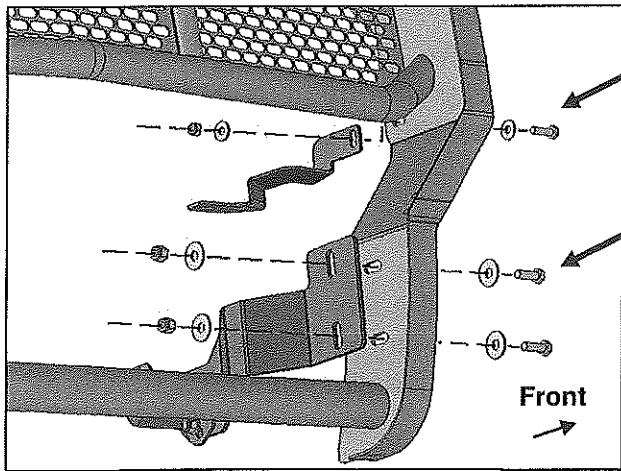
(Fig 15) Models without tow hooks, insert Double Bolt Plate into frame and out through holes. Attach driver/left inner Support Bracket to Double Bolt Plate. Attach Support Bracket to bottom of Frame Bracket

**12mm x 40mm Hex Bolt
12mm x 37mm Large Flat Washer
12mm x 24mm STD Flat Washer
12mm Nylon Lock Nut**



(Fig 16) Brackets installed. Do not reinstall grille until after Grille Guard has been installed, Brackets adjusted and hardware tightened to frame only (Step 10, Fig 18)

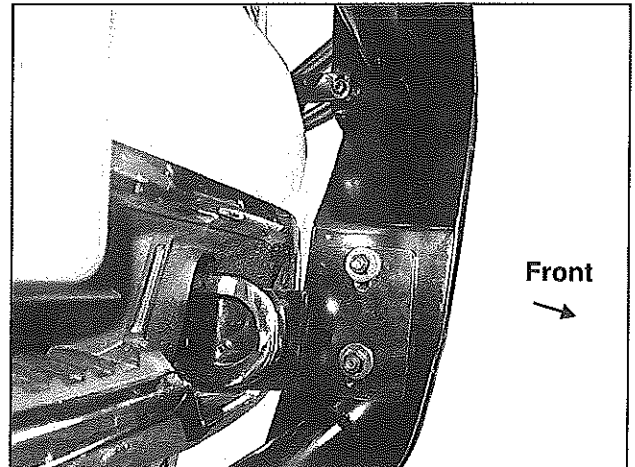
Driver/left Side Installation Pictured



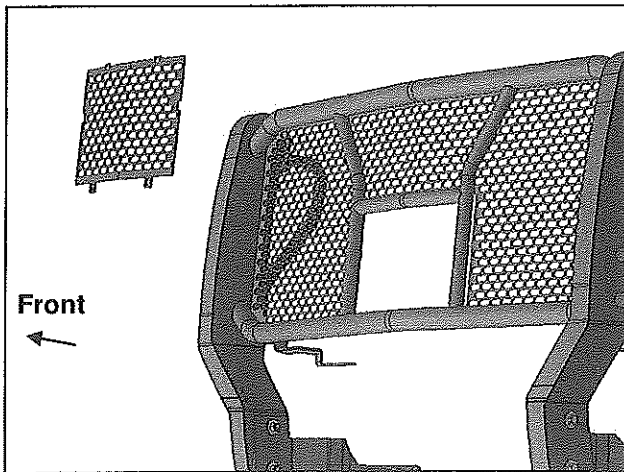
10mm x 35mm Hex Bolt
(2) 10mm Flat Washers
10mm Nylon Lock Nut

(2) 12mm x 40mm Hex Bolts
(4) 12mm Flat Washers
(2) 12mm Nylon Lock Nuts

(Fig 17) Attach Grille Guard to outside of Brackets



(Fig 18) Grille Guard installed (driver/left side pictured)



(Fig 19) Models with grille mounted camera, remove screen from Grille Guard



PRODUCT CARE

Periodically check the product to ensure all fasteners are tight and components are intact.

Regular waxing is recommended to protect the finish of the product.

Use ONLY Non-Abrasive automotive wax. Use of any soap, polish or wax that contains an abrasive is detrimental and can scratch the finish leading to corrosion.

Aluminum polish may be used to polish small scratches and scuffs for **Stainless Steel finish.**

Mild soap may be used to clean the product for both **Stainless Steel and Black finish.**

FAQ's

Hardware's are not of correct size.

In GMC / Chevrolet truck model 2006 & up, customer needs to reuse the factory body bolts to install the bracket. If your vehicle is not GMC / Chevrolet 2006 & up, ensure that holes are not partially covered with any plastic grommet or rust? If it is, remove the plastic grommet & rust from the thread holes & re-try the installation.

Mounting Bracket are not getting installed properly.

In some cases illustration images shown in Installation manual may not be the exactly same as per actual vehicle images ,also if Driver / Passenger side mounting brackets are very identical in the design, suggest referring Parts Identification guide to avoid fitment issue.

Products are thumping / rattling after installation.

Ensure that all required mounting brackets / hardware's are installed & tighten correctly. Suggest using white lithium / regular grease between the metal to metal contact surfaces.

Side Bar is not aligning with vehicle / Step Pads are not aligning with vehicle doors.

Side bar may be interchanged or mounting brackets are not installed at the correct position in the vehicle. Refer Parts identification guide.

Missing / Excess Hardware.

Recheck hardware count as per the part list.

Product not installing properly.

Ensure make model year, cab length and bed size of your vehicle is listed in the application. All installation steps are followed correctly.

Warranty Terms:

3 Year Limited Warranty:

TrailFX and Keystone Automotive Operations Inc. make no guarantees or warranties for products not manufactured by Keystone Automotive Operations Inc. Such products are covered solely under any applicable warranty of the manufacturer. It is always recommended that the operating instructions and warranty instructions provided by the manufacturer are followed.

Keystone Automotive Operations Inc. warrants its products to be free from manufacturing and material defects to the original purchaser for the length of warranty stated above from the date of retail purchase. If any products are found to have a manufacturing or material defect, the product will be replaced or repaired at the option of TrailFX and Keystone Automotive Operations Inc. with proof of purchase by the original purchaser. The original purchaser shall pay all transportation and shipping costs associated with the return of the defective product and the defective product shall become the property of Keystone Automotive Operations Inc.

The Warranty applies to Keystone Automotive Operations Inc. products used for individual and recreational purposes. Commercial usage of the Keystone Automotive Operations Inc. products limits the warranty to 90-days from date of purchase.

The Warranty applies only to Keystone Automotive Operations Inc. products which are found to be defective in manufacturing or material. This warranty does not apply to normal wear and tear of the finish placed on Keystone Automotive Operations Inc. products.

TrailFX and Keystone Automotive Operations Inc. are not responsible for any labor costs incurred for removal or replacement of the defective product.

TrailFX and Keystone Automotive Operations Inc. are not responsible for repair or replacement of any product under the limited warranty where the product was improperly installed, misapplied, altered, abused, neglected, overloaded, misused or damaged as a result of an accident, including any use of the product not in accordance with all product operating and safety instructions.

Without limiting the generality of the foregoing, TrailFX and Keystone Automotive Operations Inc. shall under no circumstances be liable for any incidental or consequential loss or damage whatsoever arising out of, or in any way relating to any such breach of warranty or claimed defect in, or non-performance of the products. Some states do not allow the exclusion or limitation of incidental or consequential damages, so the above exclusion or limitation may not apply to you.

This limited warranty gives you specific legal rights, and you may also have other rights that vary from state to state.